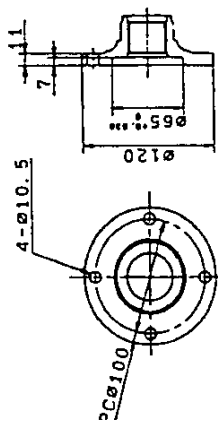
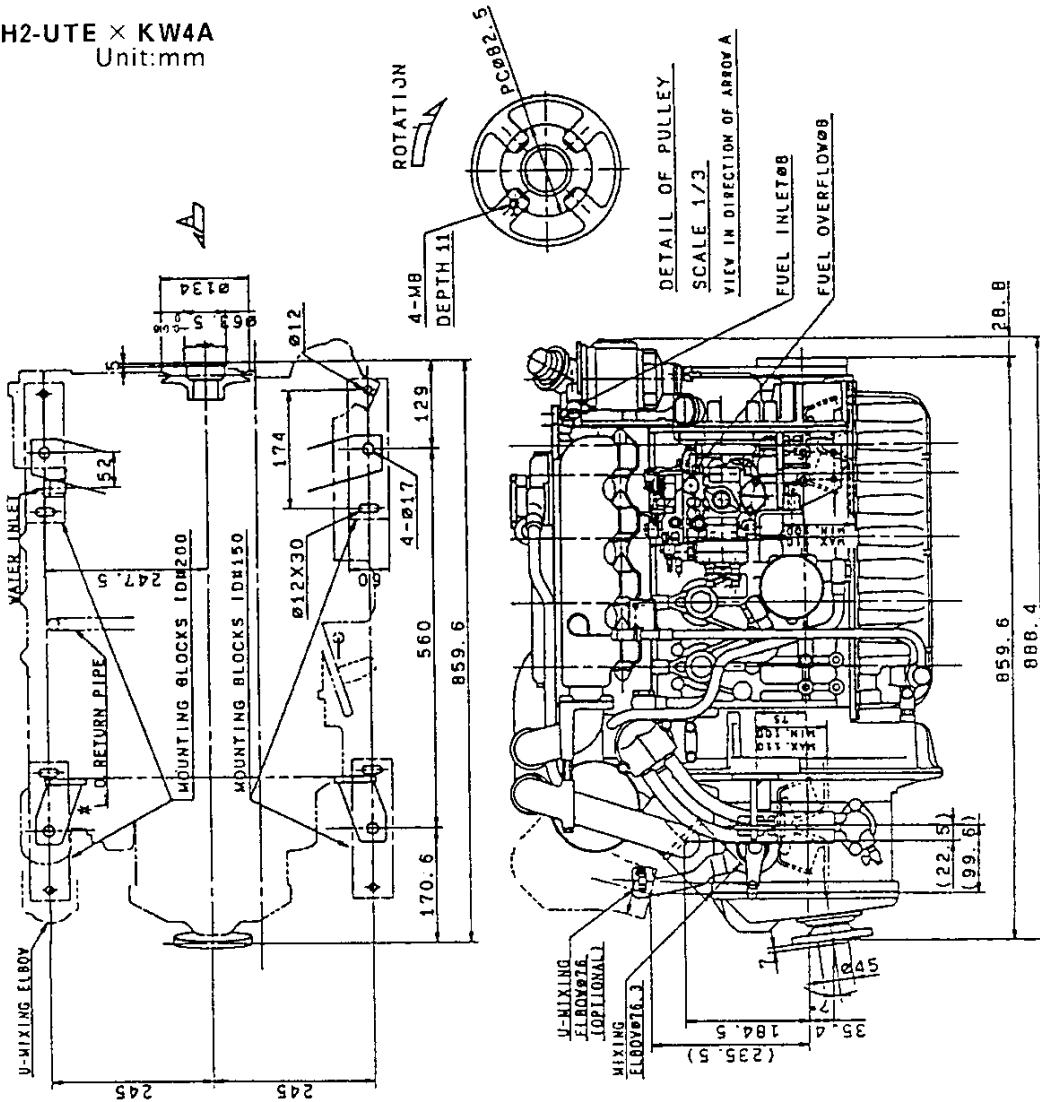
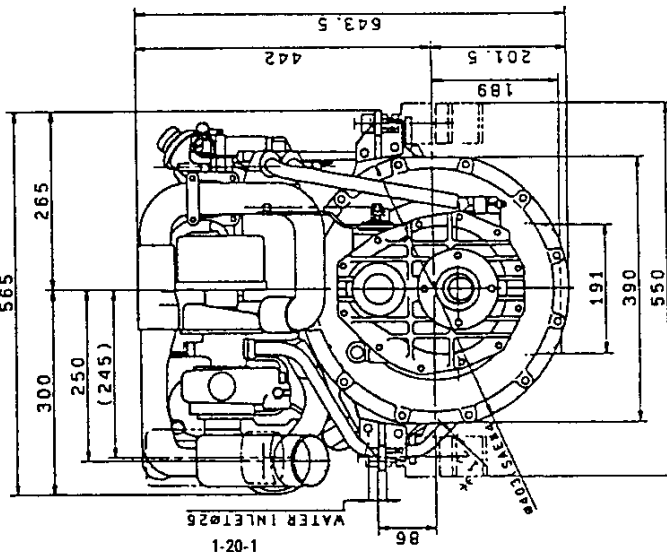


4JH2-UTE × KW4A
Unit:mm



DETAIL OF COUPLING
SCALE 1/3



NOTE

1. Dwg. shows mounting blocks at original height. ENGINE WEIGHT WILL COMPRESS BLOCKS BY 4MM (APPROX).
2. WHEN DESIGNING ENGINE BED, CONSIDER THE CLEARANCE BETWEEN I.G. RETURN PIPE AND ENGINE BED, SHOWN BY F. THE FIGURE 12MM SHOWS CLEARANCE AT THE MIDDLE HEIGHT OF MOUNTING BLOCKS, AND MINIMUM CLEARANCE IS 8MM.