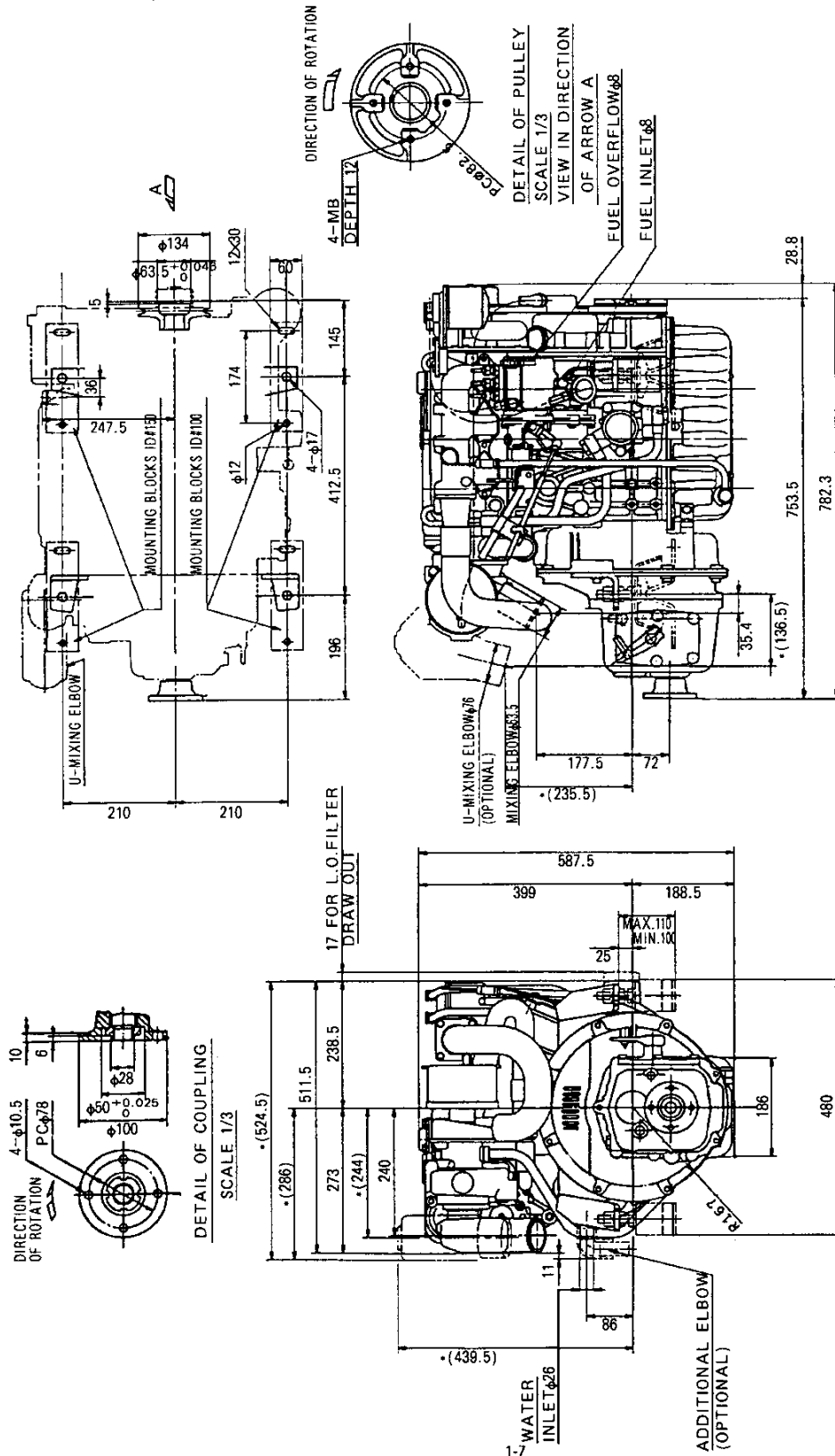


3-3. 3JH2TE(KBW10-E)



NOTE
 1. DWG. SHOWS MOUNTING BLOCKS AT ORIGINAL HEIGHT.
 ENGINE WEIGHT WILL COMPRESS BLOCKS BY 4MM(APPROX).
 2. THE FIGERS MARKED WITH * SHOW THE DIMENSIONS WITH U-MIXING ELBOW.