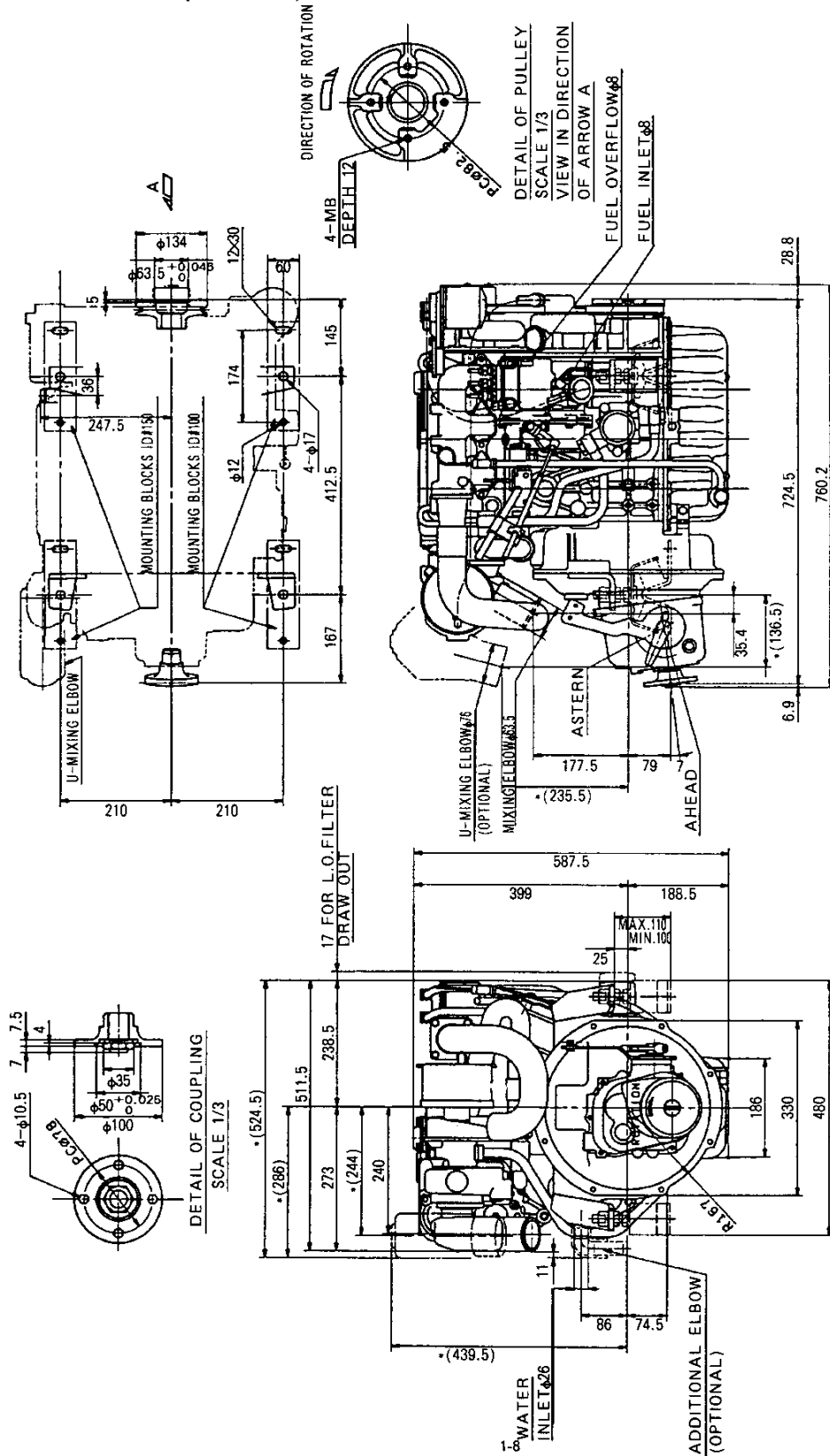


3-4. 3JH2-TBE(KM3A)



NOTE
 1. DWG. SHOWS MOUNTING BLOCKS AT ORIGINAL HEIGHT.
 ENGINE WEIGHT WILL COMPRESS BLOCKS BY 4MM (APPROX).
 2. THE FIGERS MARKED WITH * SHOW
 THE DIMENSIONS WITH U-MIXING ELBOW.

3JH25A/30A

