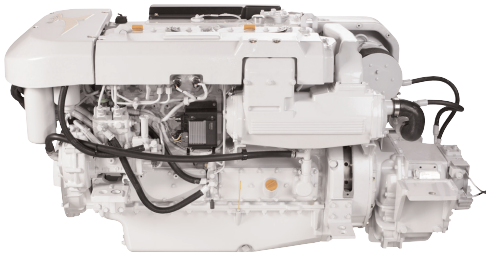


# Yanmar type 6CX-530



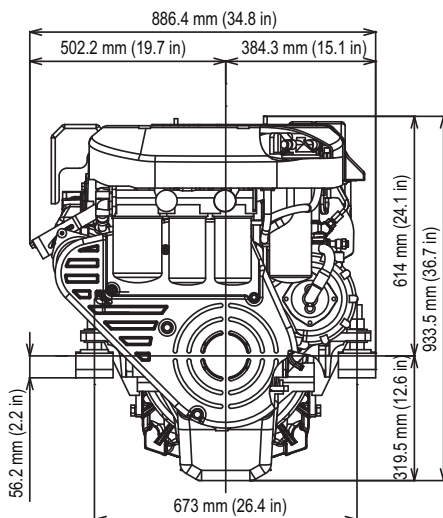
<b>Configuration</b>	4-stroke, vertical, water cooled diesel engine
<b>Maximum output at crankshaft</b>	* 390 kW (530 mhp) / 2900 rpm
<b>Continuous rating output at crankshaft</b>	355 kW (482 mhp) / 2809 rpm
<b>Displacement</b>	7.413 L (452 cu in)
<b>Bore x stroke</b>	110 mm x 130 mm (4.33 in x 5.12 in)
<b>Cylinders</b>	6 in-line
<b>Combustion system</b>	Direct injection
<b>Aspiration</b>	Dry turbocharger with water-cooled jacket, charge-air cooler
<b>Starting system</b>	Electric starting 12 V (24V = optional)
<b>Alternator</b>	12 V - 120 A (24V - 60A = optional)
<b>Cooling system</b>	Fresh water cooling by centrifugal fresh water pump and rubber impeller seawater pump
<b>Lubrication system</b>	Enclosed, forced lubricating system
<b>Direction of rotation (crankshaft)</b>	Counter clockwise viewed from flywheel side
<b>Dry weight without gear</b>	837 kg (1845 lb)
<b>Environmental</b>	EU: RCD, US: EPA Tier2
<b>Engine mounting</b>	Rubber type flexible mounting

NOTE: Fuel condition: Density at 15°C = 0.84 g/cm<sup>3</sup>

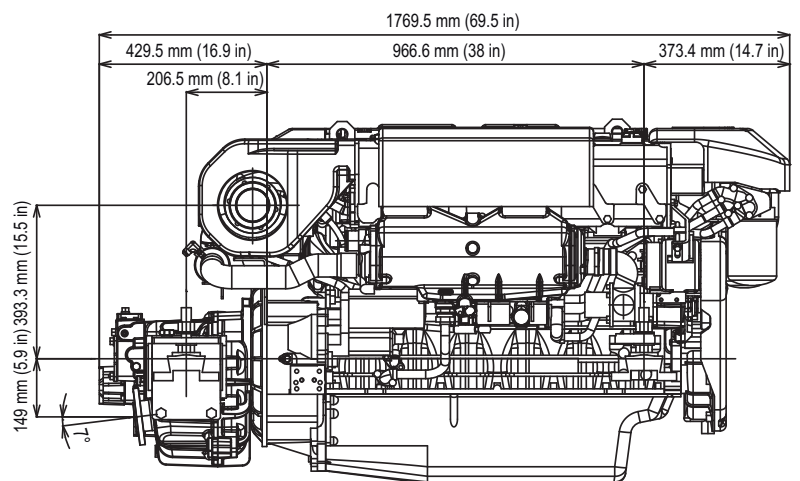
\* Fuel temperature 40°C at the inlet of the fuel injection pump (ISO 8665: 2006)

**Dimensions** (For detailed line-drawings, please refer to our web-site: [www.yanmarmarine.com](http://www.yanmarmarine.com))

## Front view



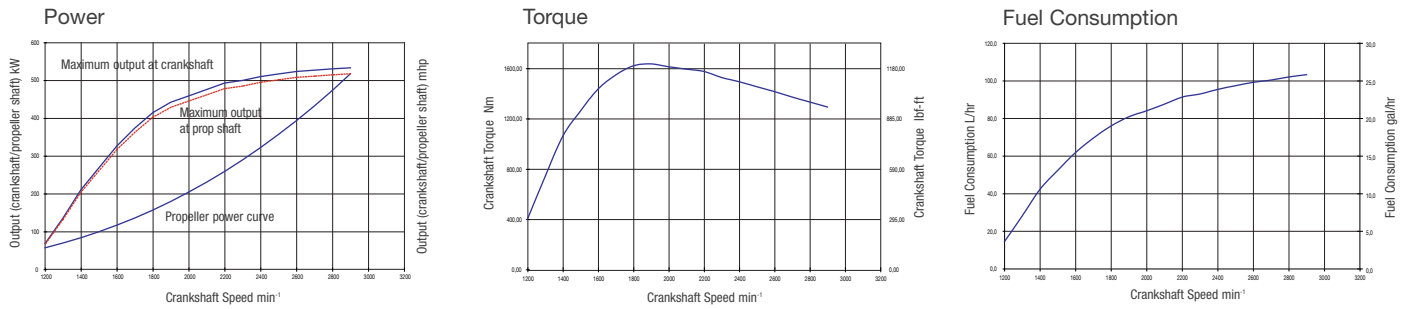
## Right side view



6CX-530 with KMH70A



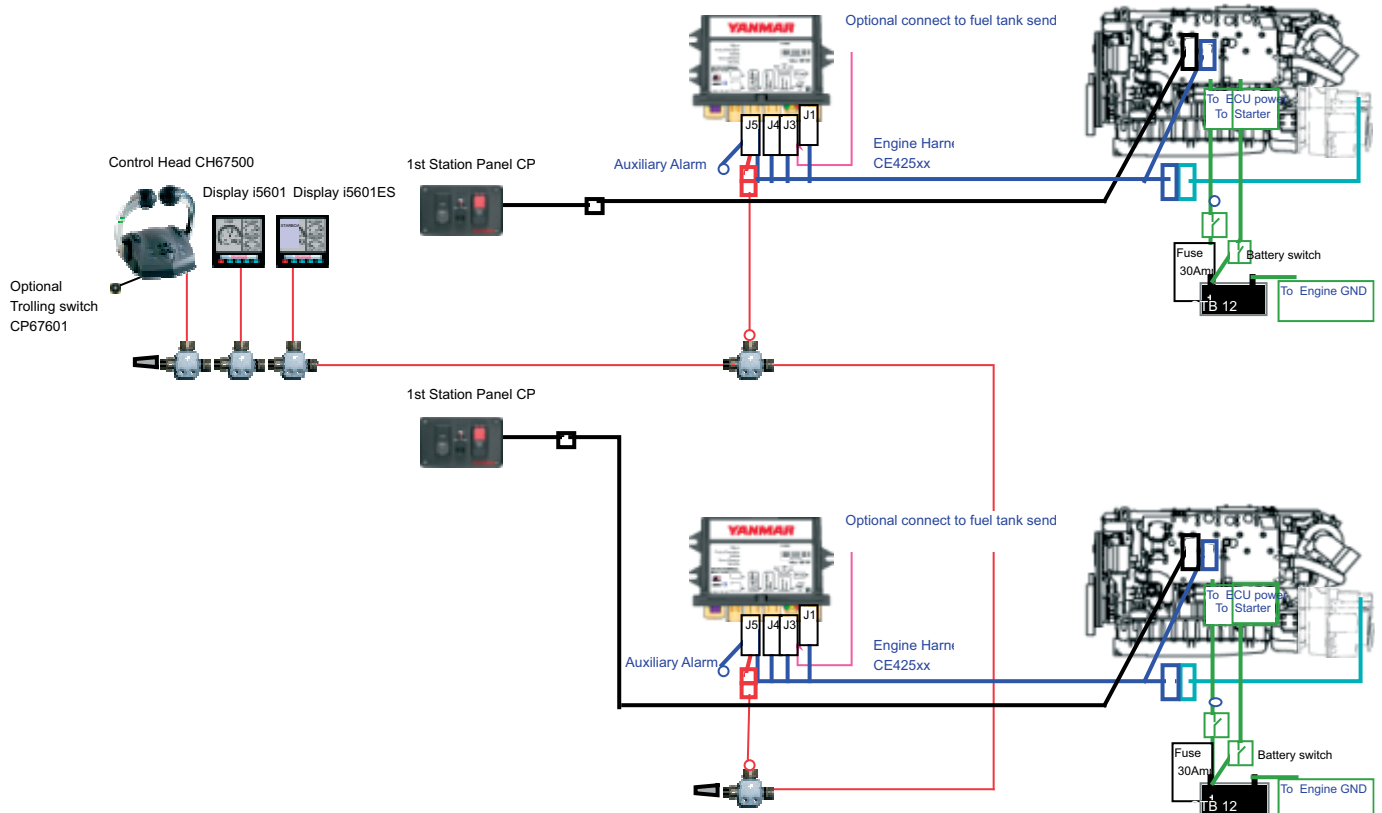
**Performance Curves** (Output is according ISO 8665 - Output includes +/- 3% tolerance)



**Marine gear**

Model	KMH70A			
Type	Multiple disk hydraulic clutch			
Dry weight	77 kg			
Reduction Ratio	2.56	2.07	1.57	1.23
Propeller speed [@2900RPM]	1133	1401	1847	2358
Dry weight engine and gear/drive	914 kg (2015 lb)			

**NMEA2000 control system**



**Accessories**

**Options:**

- Flexible mounts
- NMEA2000 Control heads
- NMEA2000 Display and Gauges
- 24V System

Texts and illustrations are not binding. Yanmar Marine reserves the right to introduce adaptations without prior notification.

Version: 2009-07