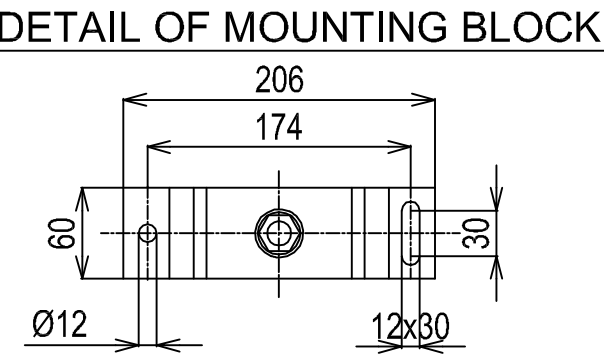
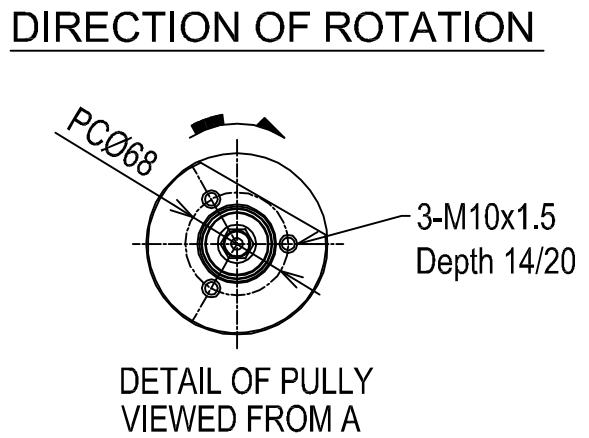
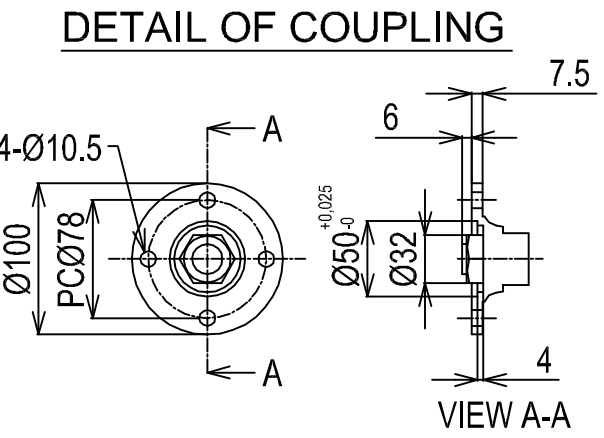


- NOTE:**
1. DWG. SHOWS MOUNTING BLOCKS AT ORIGINAL HEIGHT. ENGINE WEIGHT WILL COMPRESS BLOCKS BY 4MM (APPROX).
 2. MOUNTING BLOCKS ARE EQUIPPED FOR STANDARD ACCESSORY.
 3. ● SHOWS THE CENTER OF GRAVITY.
 4. THE FIGURES MARKED WITH * SHOW THE DIMENSIONS WITH U-MIXING ELBOW, OR OPTIONAL COUPLING.
 5. FOR ADDITIONAL INSTALLATION INFORMATION AND SPECIFICATIONS PLEASE REFER TO THE YANMAR ENGINE INSTALLATION MANUAL



Series:	JH5E	Engine:	3JH5ExKM35A	Release:	R2009-01
Scale:	1:10	Date:	01-12-2009	Dimensions:	mm

