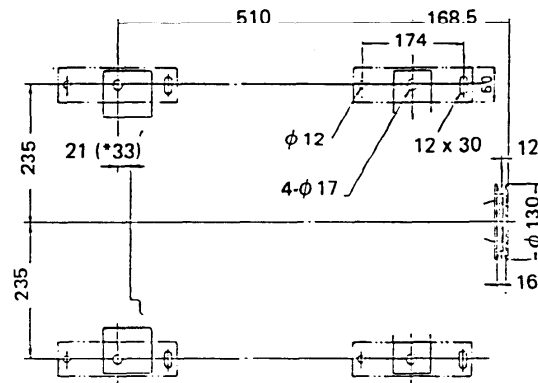
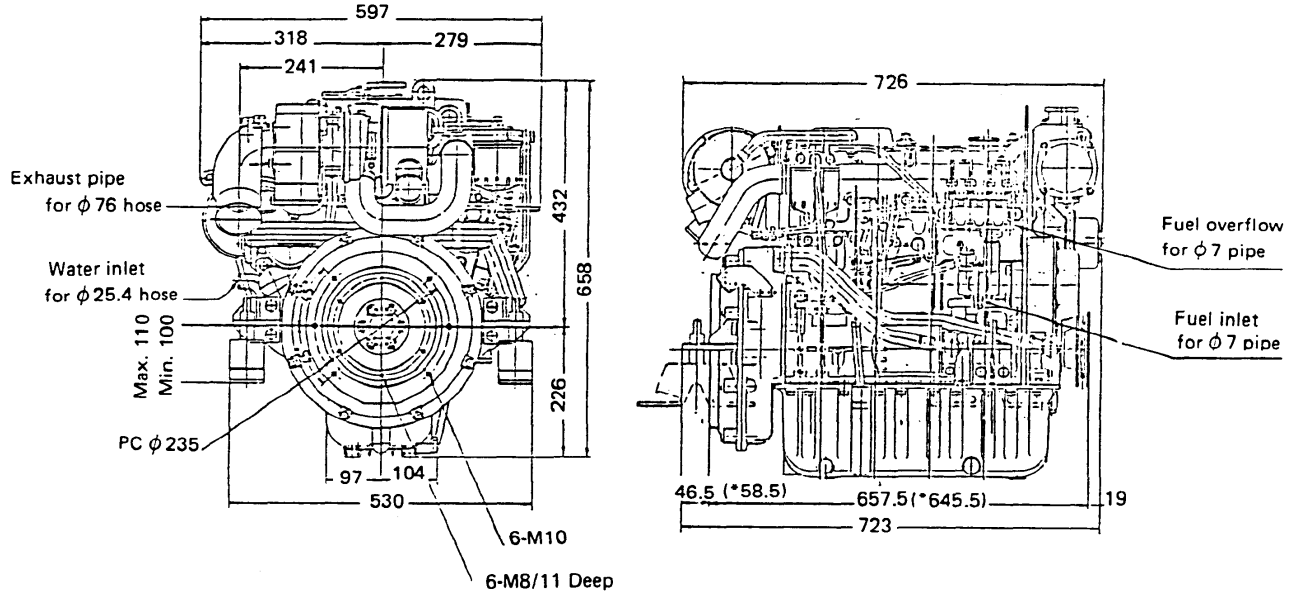


## 2.Engine External Views



Applicable Engine Number  
 \* E/# 00101 ~ 00218  
 E/# 00219 and after

Fig. 1 Engine mounting dimensions